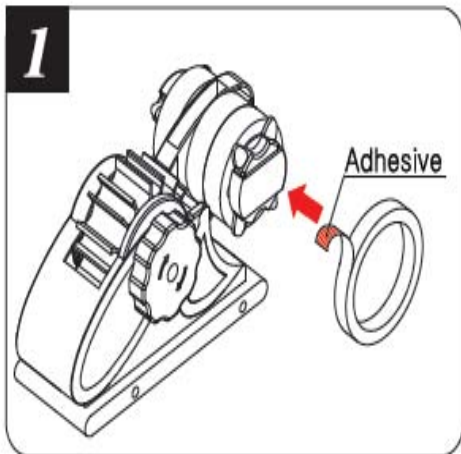


Instruction Sheet for Tach-It Model #5000 Manual Definite Length Tape Dispenser



The Tach-It Model #5000 can use 1 roll of tape up to 1 1/2" wide or 2 rolls of tape up to 3/4" wide each.

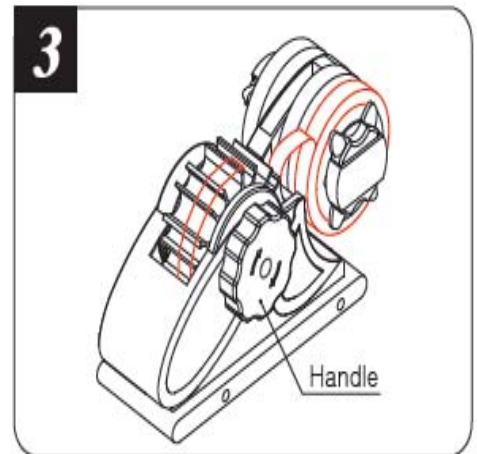
The Side Cutter on the Model #5000 used for random lengths of tape can use 1 roll of tape up to 3/4" wide each.



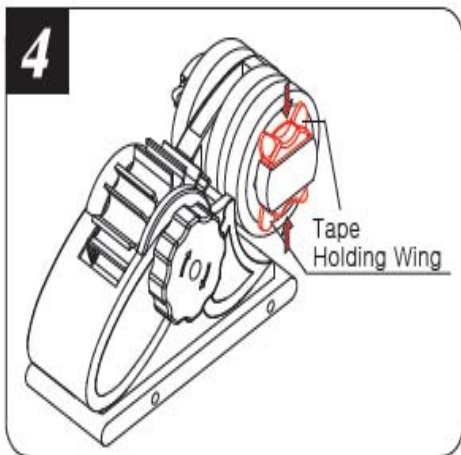
Place the **Tape** onto the **Tape Hanger** with its **Adhesive Side** upward.



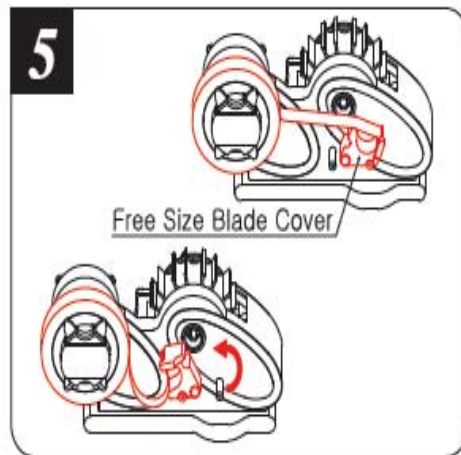
Pull the **Tape** with its **Adhesive Side** upward and affix it on the **Tape Cutting wheel** as shown.



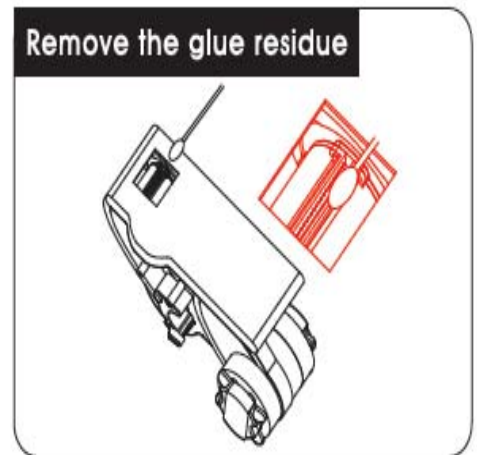
Turn round the **Handle** along the arrow to cut the tape with regular size. Use the divided tape **one by one properly** in order to prevent the tape from being stuck inside.



After using up the tape, press the **Tape Holding Wing** to take the tape off. Replace the tape by new one.



Any size of tape is available for cutting. (In this case, the adhesive side of the tape would be downward.) After cutting, fix the **Free Size Blade Cover** upward by changing the direction for safety.



After using the tape cutter for a long time, there could be glue residue on the blade. In this case, **remove the glue residue by using the cotton swab.**

Ben Clements and Sons, Inc. / Clements Industries, Inc.

50 Ruta Court, South Hackensack, New Jersey 07606 USA

Tel: 201-440-5500 Fax: 201-440-1455 Email: sales@tach-it.com Web: www.tach-it.com